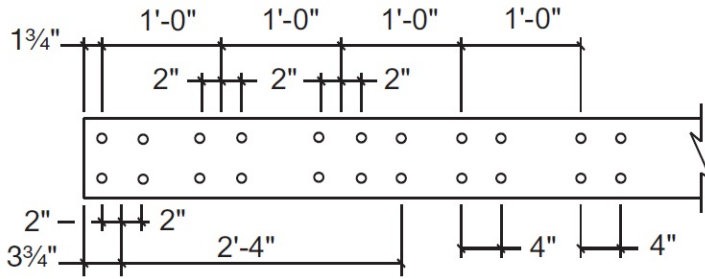


# STANDARD PUNCHING PATTERNS FOR ZEES AND CEES

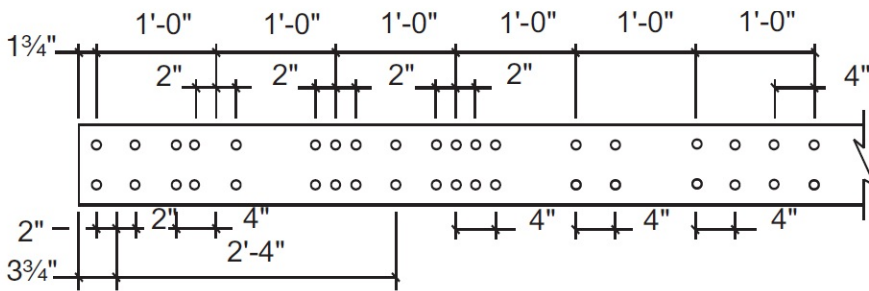


## WEB PUNCHES

**PATTERN A**

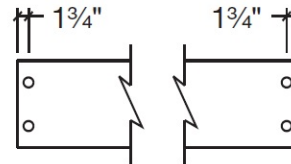


**PATTERN B**



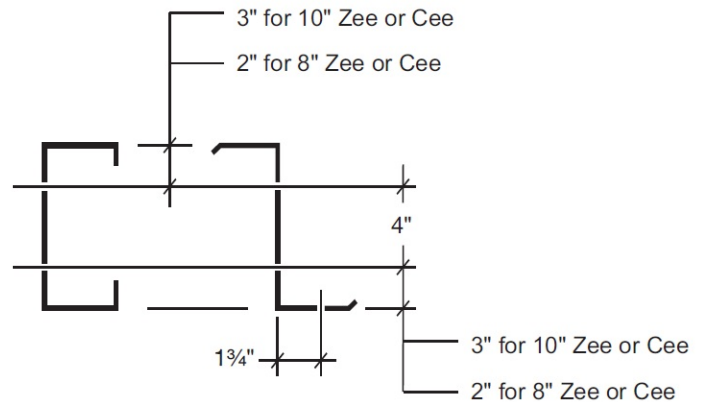
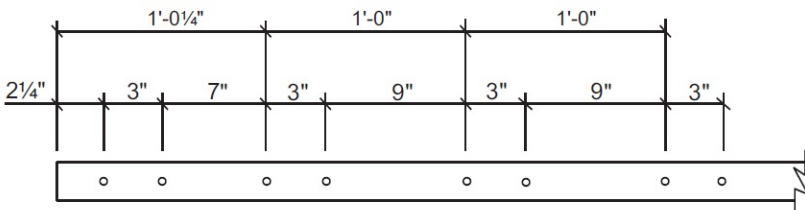
6" Zee or Cee	1"	4"	1"
7" Zee or Cee	1 1/2"	4"	1 1/2"
8" Zee or Cee	2"	4"	2"
9" Zee	2 1/2"	4"	2 1/2"
10" Zee or Cee	3"	4"	3"
11" Zee or Cee	3 1/2"	4"	3 1/2"
12" Zee	4"	4"	4"

**PATTERN G**



## FLANGE PUNCHES

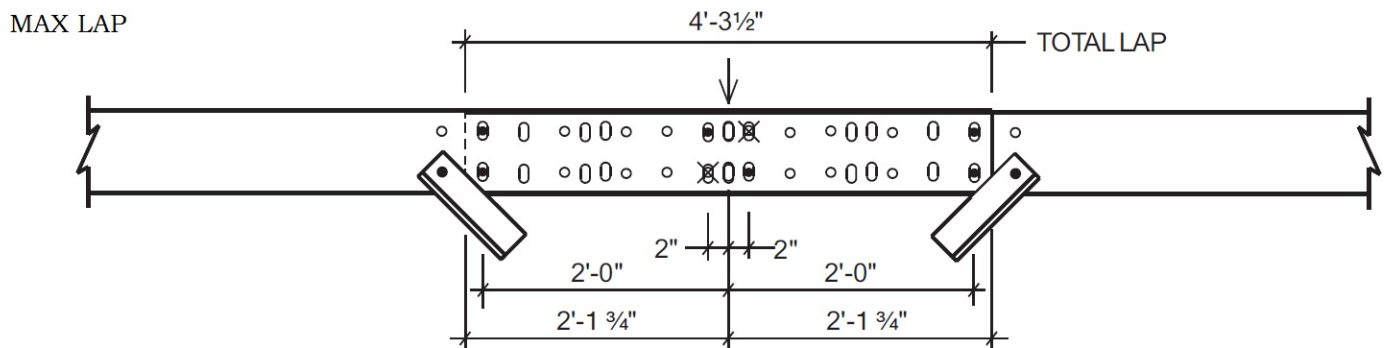
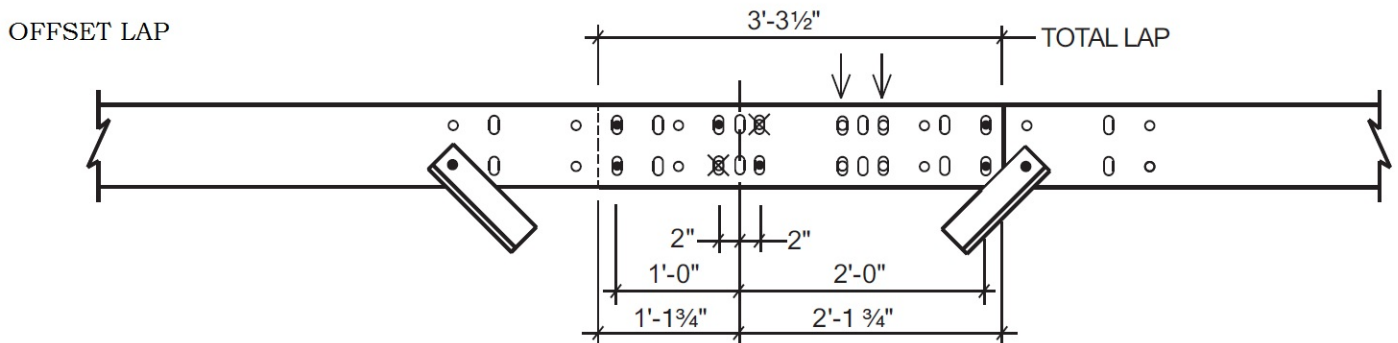
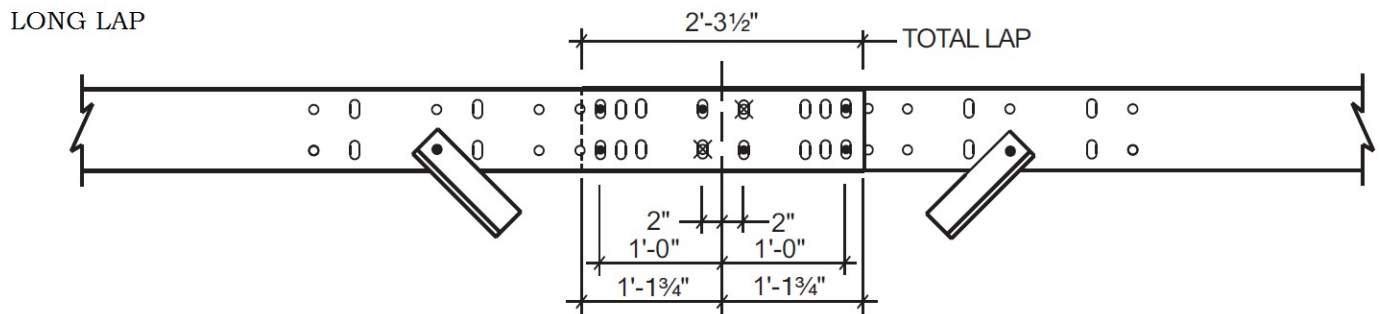
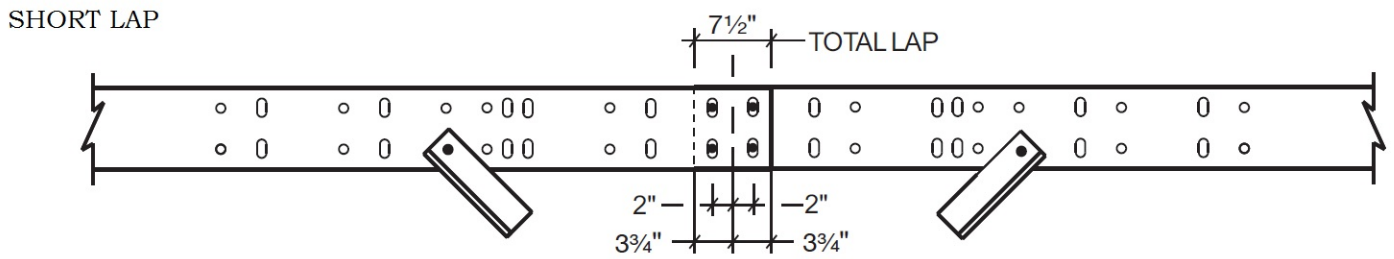
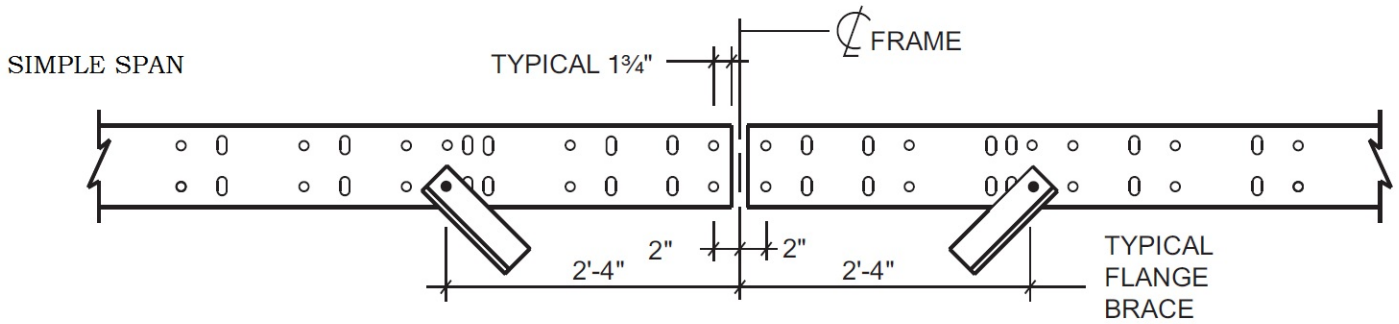
**PATTERN D & E**



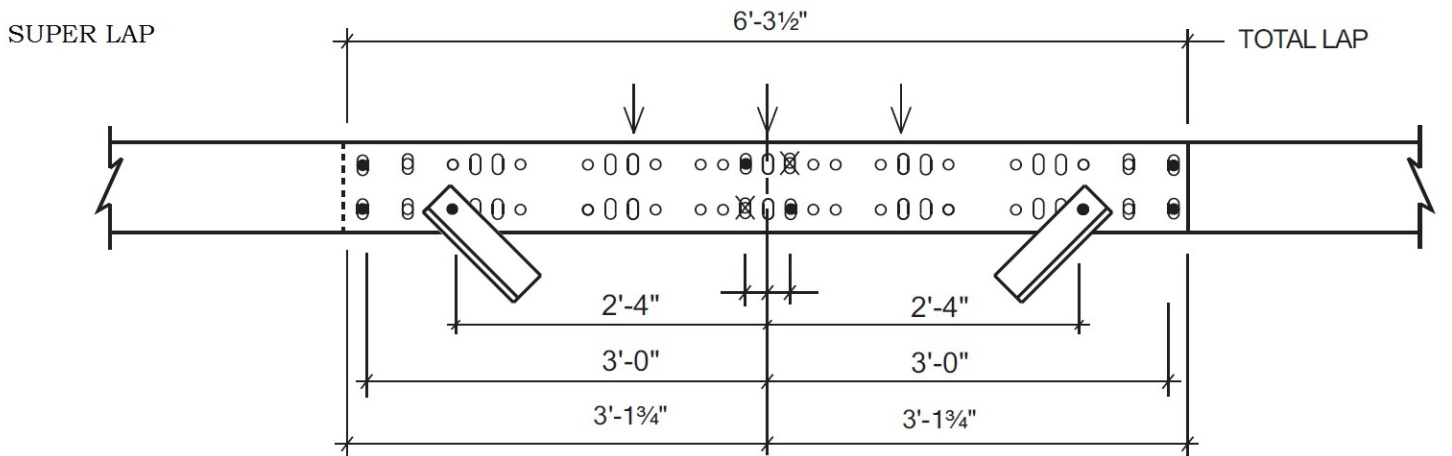
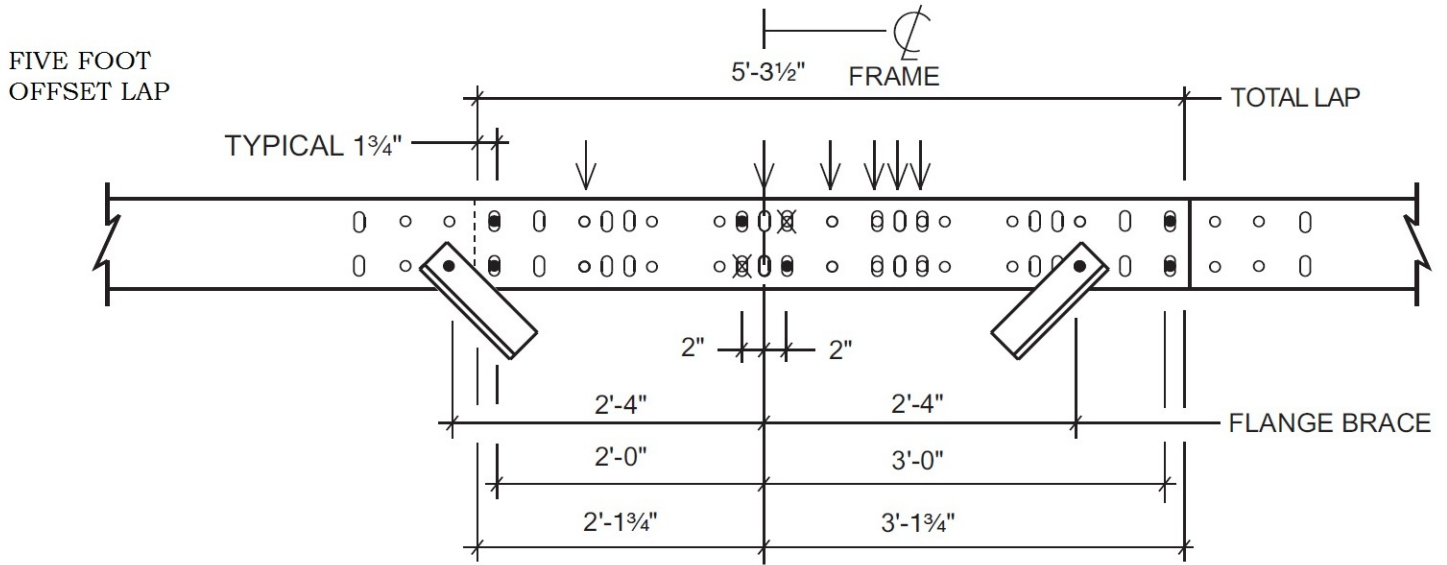
**NOTE:**

1. ALL HOLES ARE 5/8" X 3/4" SLOTS.

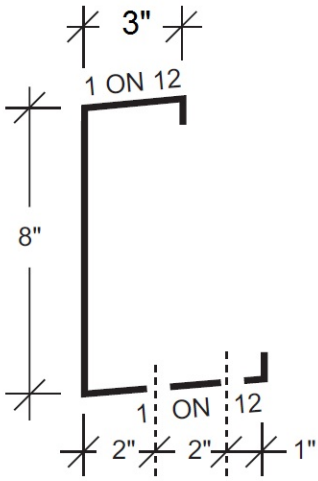
# STANDARD LAP PATTERNS FOR PATTERN A



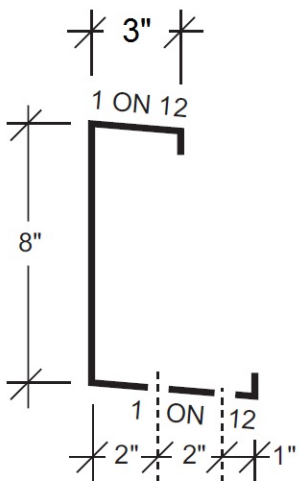
# STANDARD LAP PATTERNS FOR PATTERN B



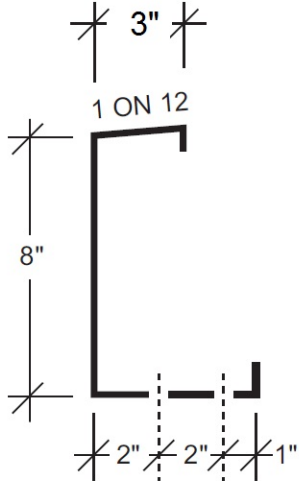
**STANDARD PUNCH PATTERNS  
8" X 5' X 3" EAVE STRUTS**



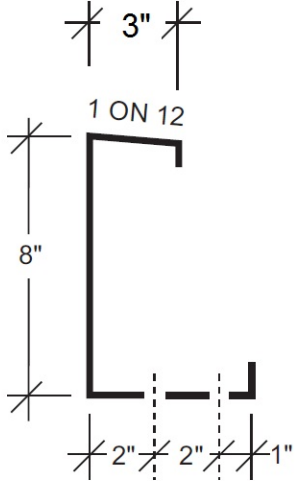
**LOW-SIDE  
DOUBLE SLOPE**



**HIGH SIDE  
DOUBLE SLOPE**



**LOW SIDE  
SINGLE SLOPE**



**HIGH SIDE  
SINGLE SLOPE**

**FLANGE PUNCHING SIDE VIEW**

